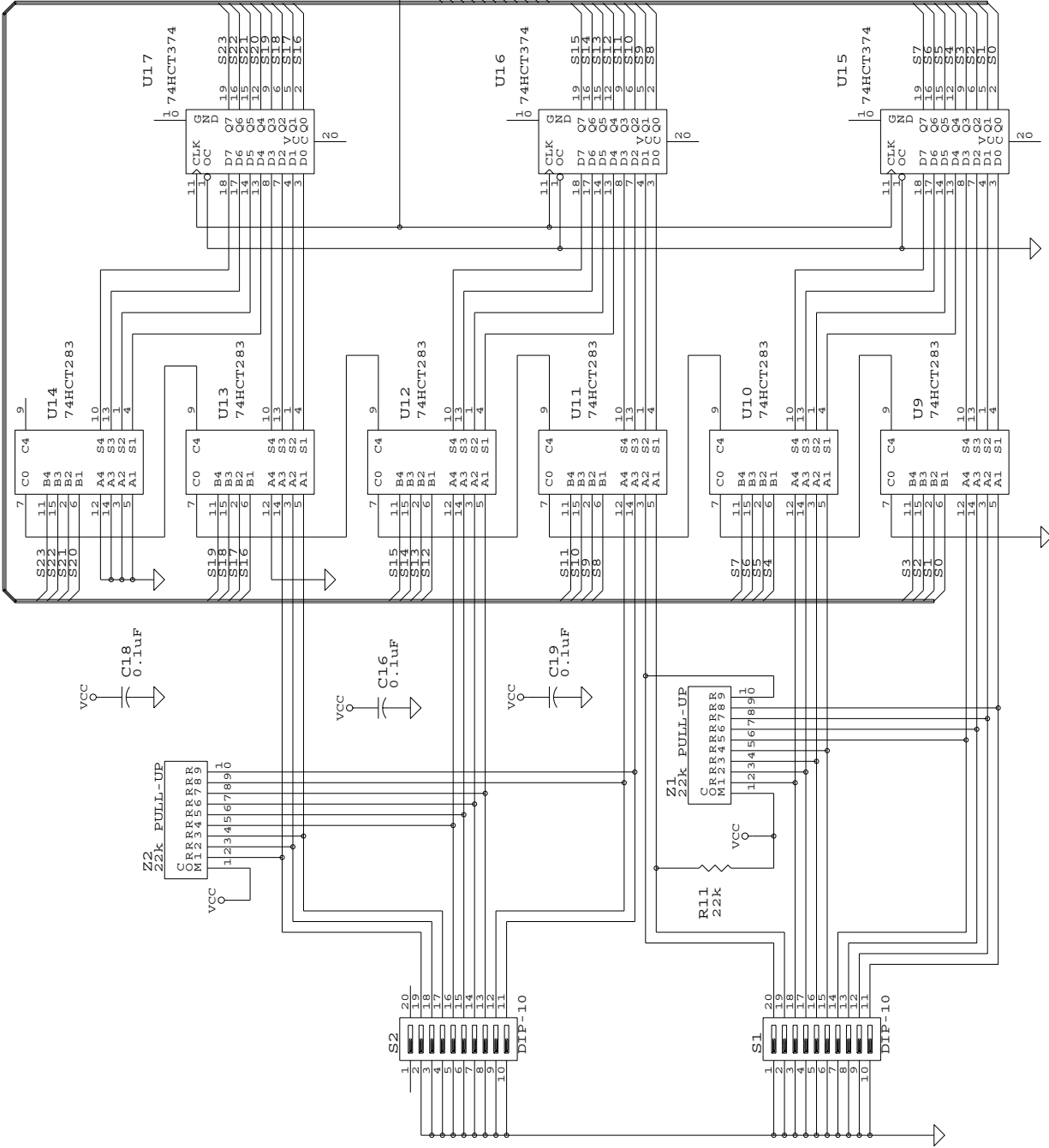


POWER CONNECTIONS NOT SHOWN

VCC	24	12
GND	10	16
U2, U15-U17	14	7
U9, U4	14	7
U5, U8	14	7



TO SHT 1

S[0..23]

- S20
- S19
- S18
- S17
- S16
- S15
- S14
- S13
- S12
- S11
- S10

PHASE ACCUMULATOR