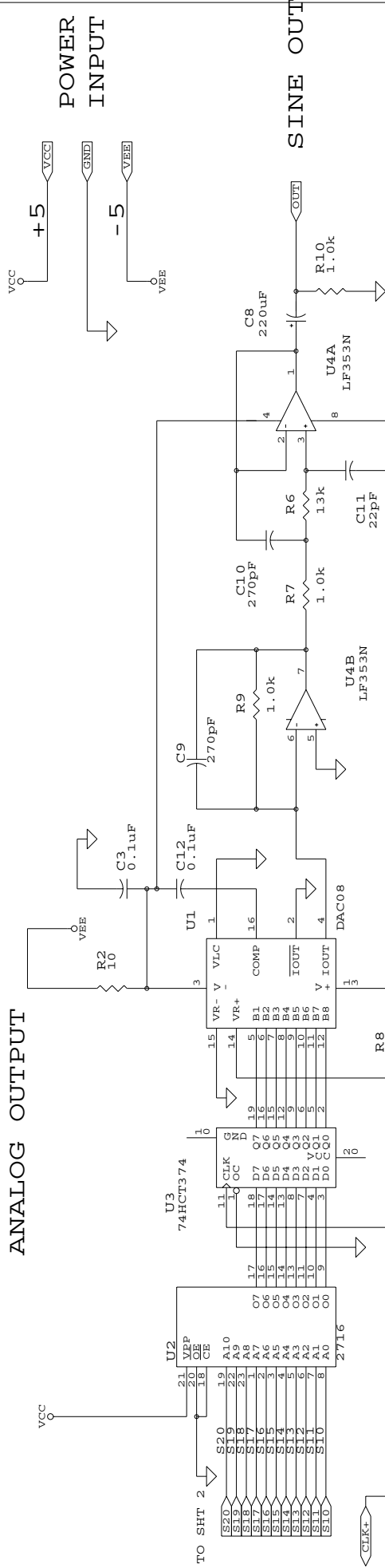
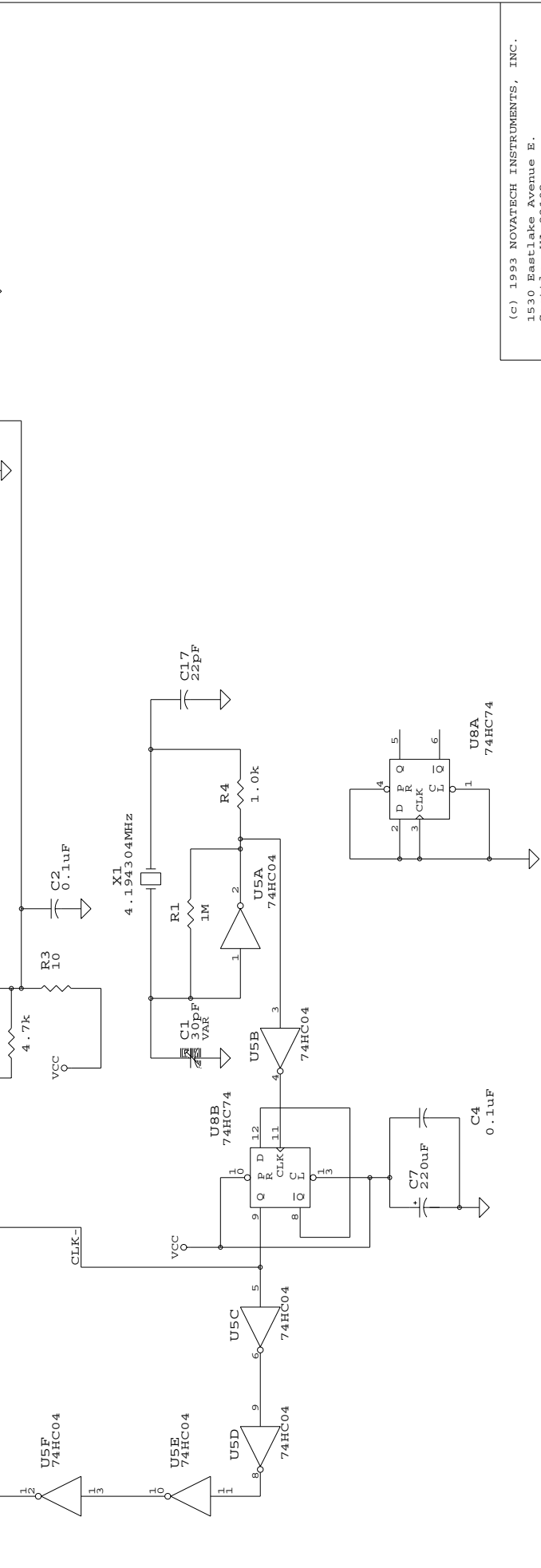


ANALOG OUTPUT

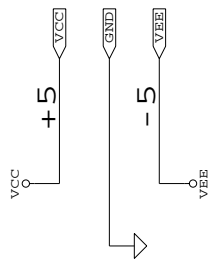


SINE OUT



NOT USED

POWER INPUT



(c) 1993 NOVATECH INSTRUMENTS, INC.
1530 Eastlake Avenue E.
Seattle, WA 98102

Title	DDS-1C Frequency Synthesizer
Size	Document Number
REV	
Date:	April 18, 1993 Sheet 1 of 2