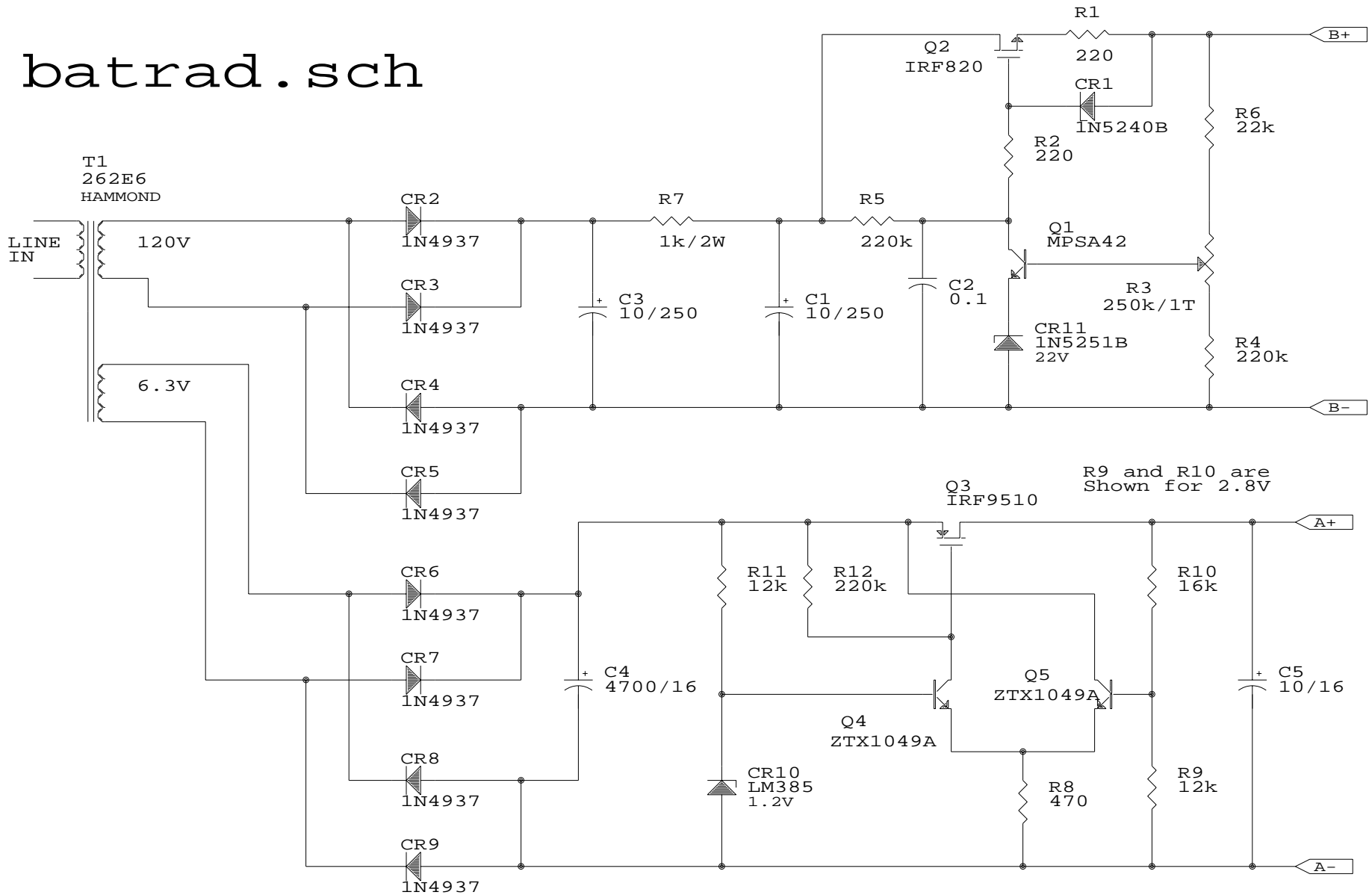


batrad.sch



R9 and R10 are
Shown for 2.8V

B and A supplies are not common. You must connect A- and B- together as required in your circuit.

Copyright 2000 Steven D. Swift, P.E.
Seattle, Washington 98155 USA

Proprietary Information

Title		
Line Power for Battery Radios (Tube)		
Size	Document Number	REV
A		-
Date:	February 12, 2000	Sheet 1 of 1