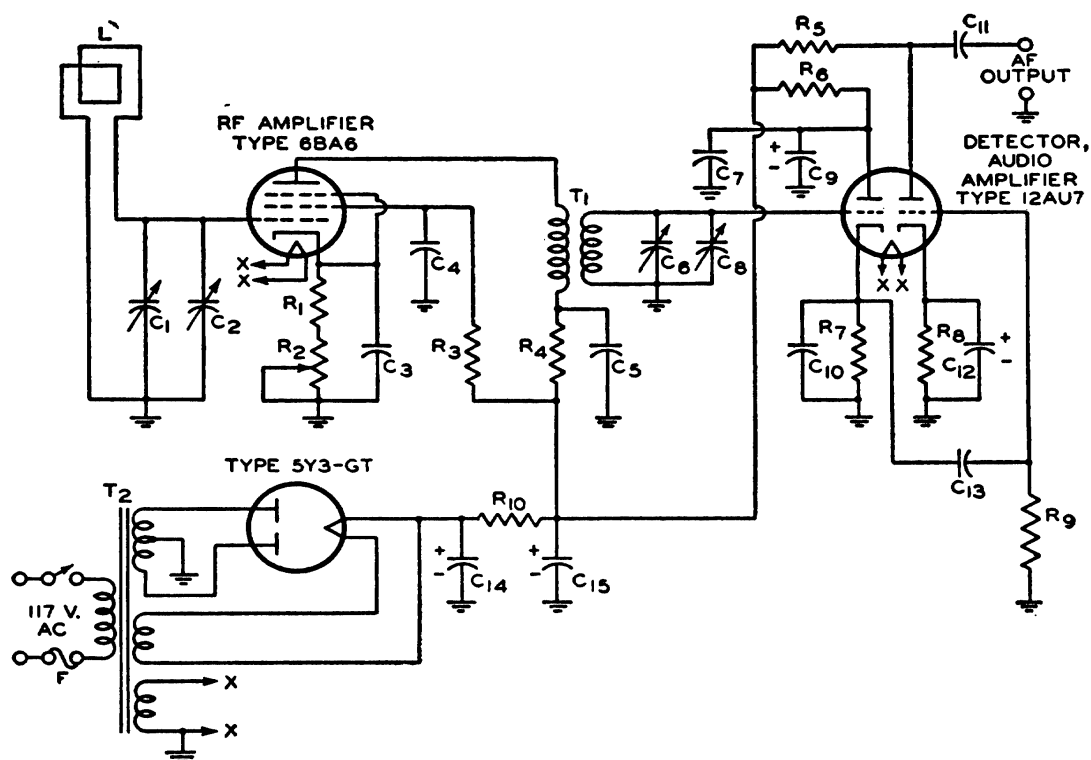


From RCA RC-19.

(19-8)

TRF AM TUNER For High-Fidelity Local Broadcast Reception



C_1 C_6 = Ganged tuning capacitors, 10-365 μmf
 C_2 C_3 = Trimmer capacitors, 4-30 μmf
 C_4 = 0.01 μf , paper or ceramic, 200 v.
 C_5 = 0.01 μf , paper or ceramic, 400 v.
 C_6 C_{11} = 0.1 μf , paper, 400 v.
 C_7 = 250 μmf , mica or ceramic, 400 v.

C_8 = 10 μf , electrolytic, 350 v.
 C_{10} = 250 μmf , mica or ceramic, 200 v.
 C_{12} = 25 μf , electrolytic, 25 v.
 C_{13} = 0.05 μf , paper, 200 v.
 C_{14} C_{15} = 20 μf , electrolytic, 450 v.
 F = Fuse, 1 ampere
 L = Loop antenna, 540-1600 Kc.
 R_1 = 180 ohms, 0.5 watt
 R_2 = Volume control, potentiometer, 5000 ohms

R_3 = 33000 ohms, 1 watt
 R_4 R_6 = 1000 ohms, 0.5 watt
 R_5 = 100000 ohms, 0.5 watt
 R_7 = 150000 ohms, 0.5 watt
 R_8 = 1500 ohms, 0.5 watt
 R_9 = 470000 ohms, 0.5 watt
 R_{10} = 7000 ohms, 10 watts
 T_1 = RF transformer, 540-1600 Kc.
 T_2 = Power transformer, 250-0-250 volts rms, 40 ma.