

THIS PRECISION *SEALED-IN-GLASS* CRYSTAL UNIT PROVIDES EXCEPTIONAL STABILITY WITH MINIMUM AGEING WHEN USED AS A REFERENCE SOURCE IN SECONDARY FREQUENCY STANDARDS. DESIGN SPECIFICATIONS FOR TYPE BG9D-S ARE LISTED BELOW.



## DESIGN SPECIFICATIONS

**FREQUENCY:** 100 kc.

**TOLERANCE:**  $\pm 5$  ppm at 70°C.

**TEMPERATURE COEFFICIENT:** Less than 0.7 ppm per degree C between +65°C and +75°C.

**MAXIMUM EFFECTIVE SERIES RESISTANCE:** 500 ohms at series resonance.

**AGEING:** 0.1 ppm per day under recommended conditions of operation.

**AVERAGE Q:** 100,000

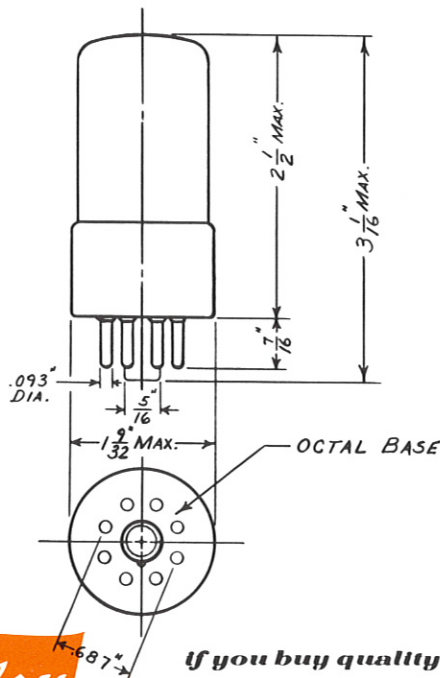
**HOLDER:** Glass envelope, T-9 bulb, vacuum sealed, standard octal base.

**PIN CONNECTIONS:** No. 3 and No. 7.

## RECOMMENDED CONDITIONS OF OPERATION

- (A) Series resonant oscillator with voltage regulation.
- (B) Maximum crystal current less than 500 microamperes.
- (C) Use with following Bliley crystal ovens:

| MODEL  | HEATER VOLTAGE | WATTS |
|--------|----------------|-------|
| TC922X | 6.3            | 10    |
| TC911  | 115            | 10    |



*If you buy quality*

BLILEY ELECTRIC COMPANY  
2545 WEST GRANDVIEW BOULEVARD

ERIE, PENNSYLVANIA 16512